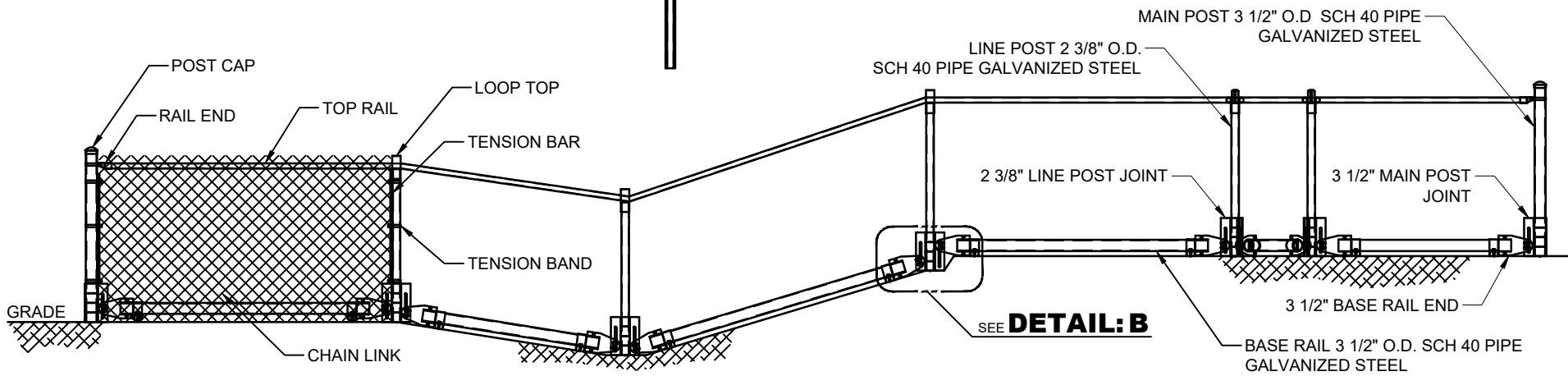


PLAN VIEW
 SCALE: 1"=48"
 TOP RAIL, CHAIN LINK AND FENCING
 ACCESSORIES NOT SHOWN FOR CLARITY



ELEVATION
 SCALE: 1"=48"

NOTES:

1. ATFF IS A PATENTED SECURITY CHAIN LINK FLOATING FENCE SYSTEM BUILT TO ACCEPT STANDARD FENCING COMPONENTS.
2. DESIGNED FOR USE IN NO DIG ZONES AND REMOTE LOCATIONS, WITH MINIMAL ENVIRONMENTAL IMPACT.
3. EASILY ASSEMBLED ON UNEVEN TERRAIN, WITH MINIMAL SITE PREPARATION. NO AUGURING OR CONCRETE WORK IS REQUIRED ELIMINATING THE NEED FOR HEAVY EQUIPMENT.
4. THE ATFF SYSTEM CAN BE CONFIGURED TO SUIT SITE TOPOGRAPHY AND CUSTOMER NEEDS, IT CAN ALSO BE EASILY RECONFIGURED AND DISASSEMBLED AND REUSED IN ANOTHER LOCATION.
5. ALL COMPONENTS ARE MADE FROM MADE FROM HOT DIP GALVANIZED MILD STEEL.

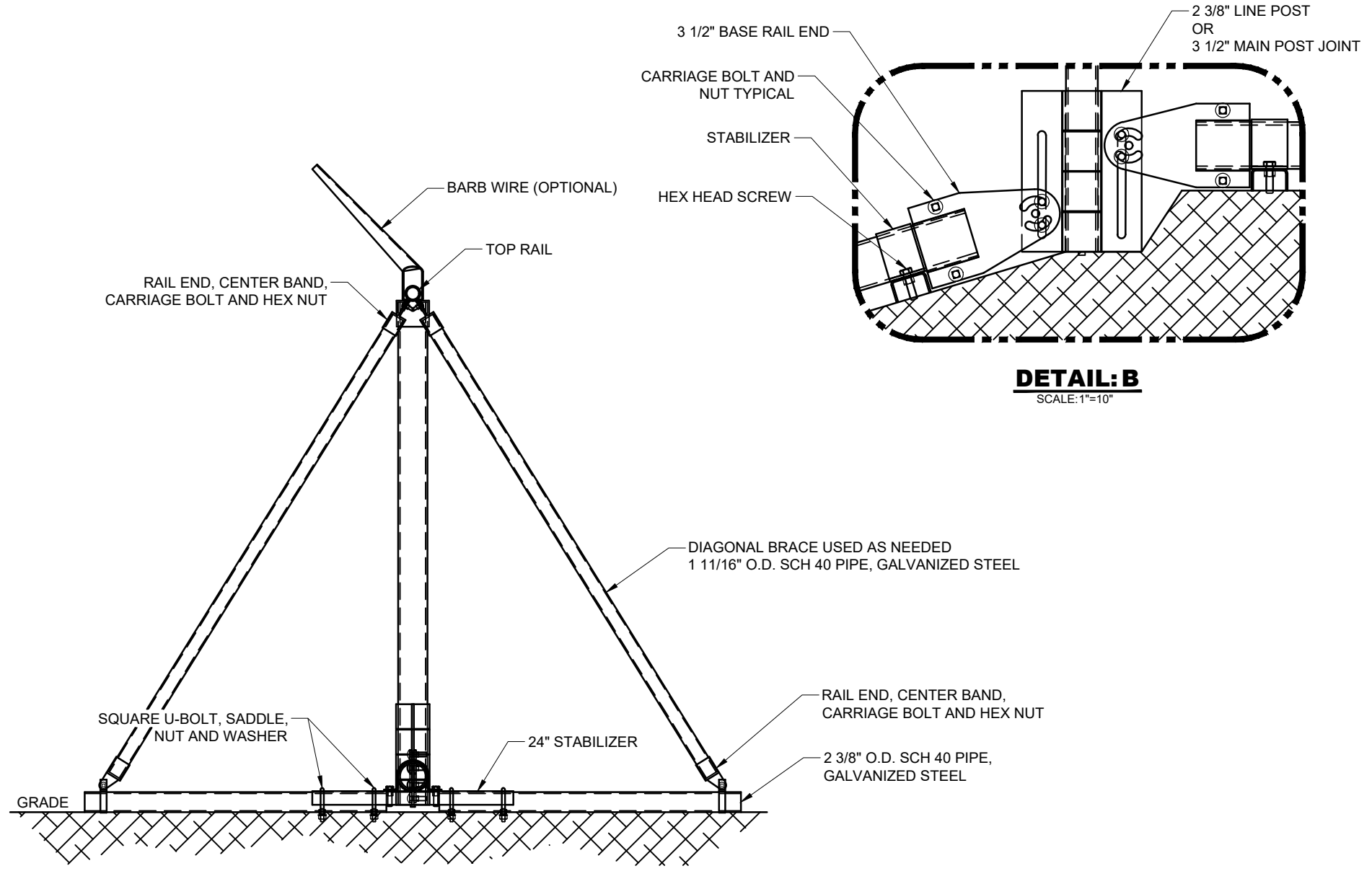


927 Alloy Drive, Thunder bay Ontario P7B 5Z8
 Ph. 807-623-3352 WWW.CMSSI.COM

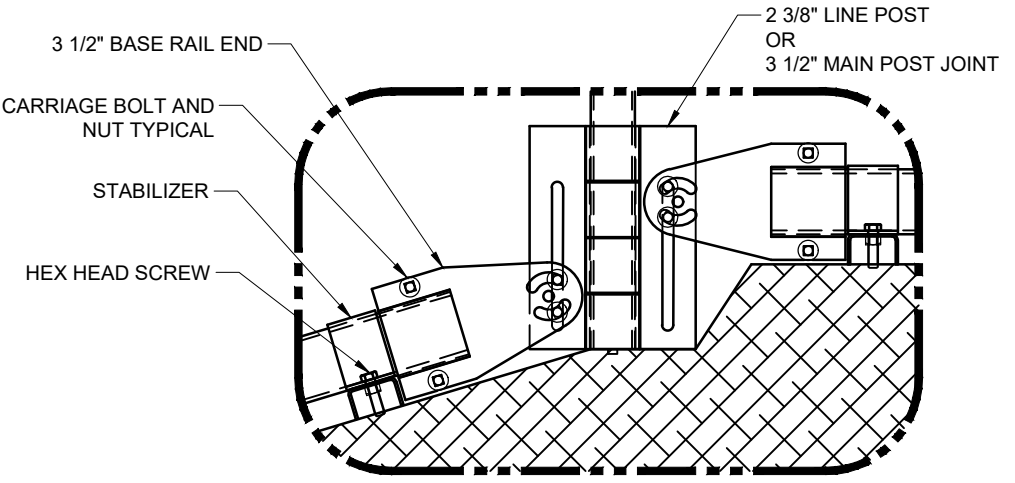
TITLE:
**(ATFF) ALL TERRAIN
 FLOATING FENCE**

APPROVED BY: B. SYLVESTER	DRAWN BY: P. SCARFO	DATE: 13/APR/18	SCALE: AS NOTED
-------------------------------------	-------------------------------	---------------------------	---------------------------

DRAWING No: ATFF-MARKET-0001	SHT No.: 1 OF 2
--	---------------------------



SECTION: A-A
SCALE: 1"=16"



DETAIL: B
SCALE: 1"=10"



927 Alloy Drive, Thunder bay Ontario P7B 5Z8
Ph. 807-623-3352 WWW.CMSSI.COM

TITLE:
**(ATFF) ALL TERRAIN
FLOATING FENCE**

APPROVED BY: B. SYLVESTER	DRAWN BY: P. SCARFO	DATE: 13/APR/18	SCALE: AS NOTED
DRAWING No: ATFF-MARKET-0001			SHT No.: 2 OF 2