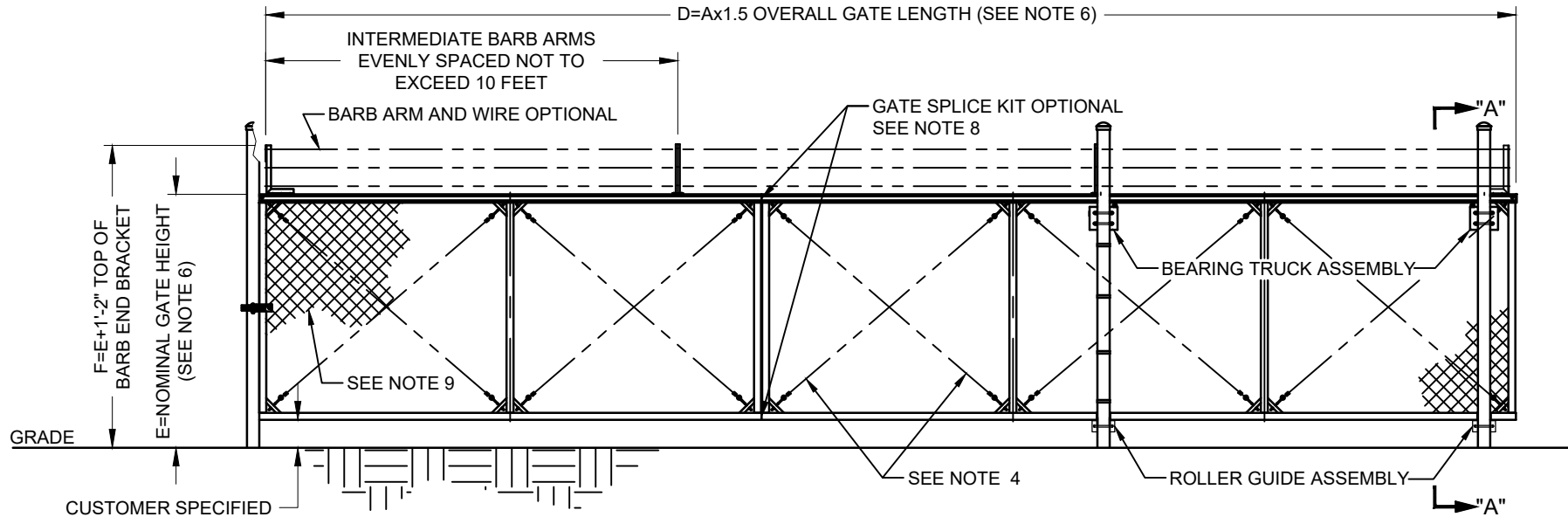


PLAN VIEW

SCALE: 1"=48"



ELEVATION

SCALE: 1"=48"
UNSECURED AREA LOOKING IN

NOTES:

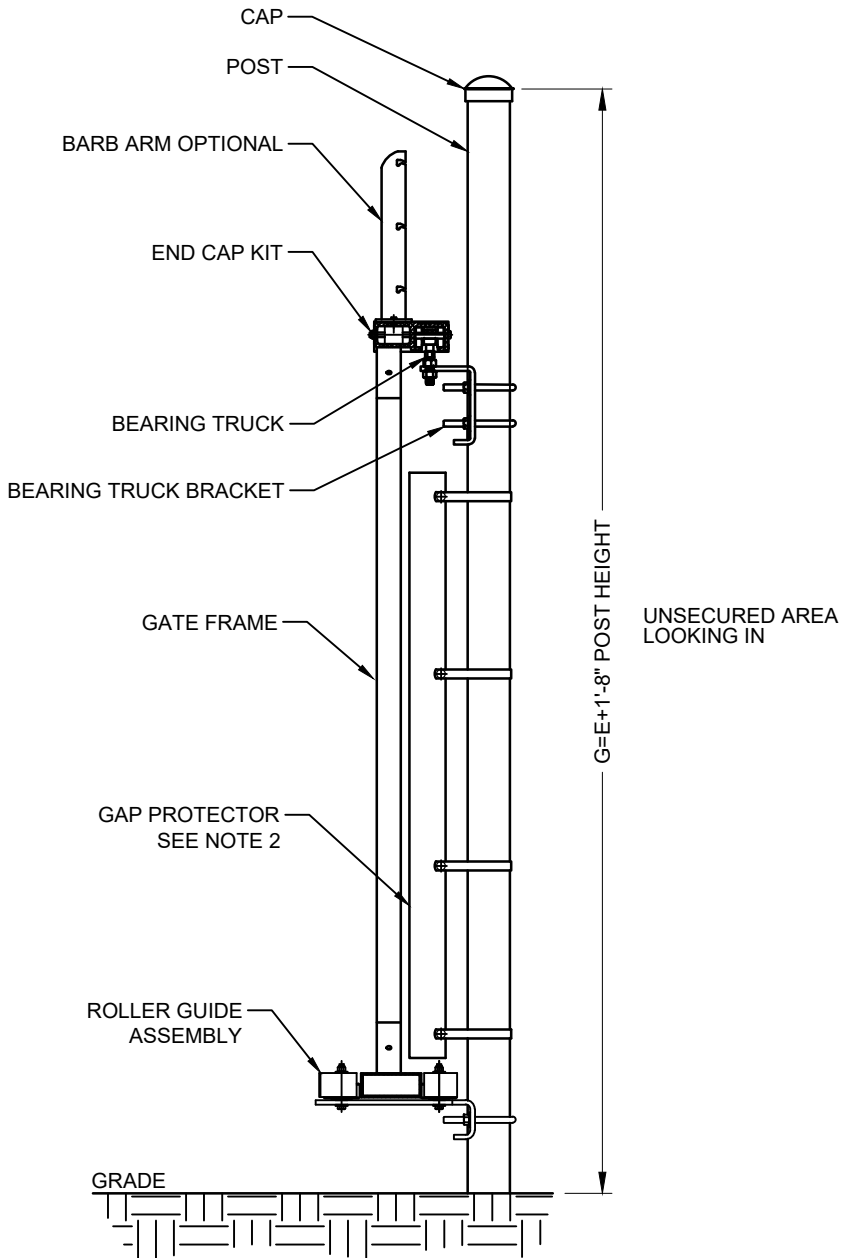
1. GATE OPERATOR INSTALLATION AND SAFETY STANDARD PER UL 325. (STANDARD FOR DOOR, DRAPERY, GATE, LOUVER, AND WINDOW OPERATORS AND SYSTEMS).
2. GATE FABRICATION AND SAFETY STANDARD PER ASTM F2200 (AUTOMATED VEHICULAR GATE CONSTRUCTION)
3. GATE FRAME CONSTRUCTED USING ALUMINUM 6061-T6 FOR SUPERIOR CORROSION RESISTANCE AND STRUCTURAL INTEGRITY.
4. TWO 5/16" EYE BOLT AND 3/16" STAINLESS STEEL CABLES FOR GATE FRAME ADJUSTMENT.
5. PRODUCT IS SOLD AS KITS i) GATE SEGMENT KIT, ii) GATE HARDWARE KIT, iii) BARB WIRE KIT AND iv) SPLICE KIT.
6. SEGMENT HEIGHT OPTIONS, 5', 6', 7' AND 8'.
7. SEGMENT LENGTH OPTIONS 10', 12' AND 18'.
8. MULTIPLE SEGMENT LENGTH'S CAN BE SPICED TOGETHER TO REACH REQUIRED OVERALL LENGTH.
9. GATE OPENING IS FULLY SCREENED USING 11 GAUGE GALVANIZED STEEL CHAIN LINK.



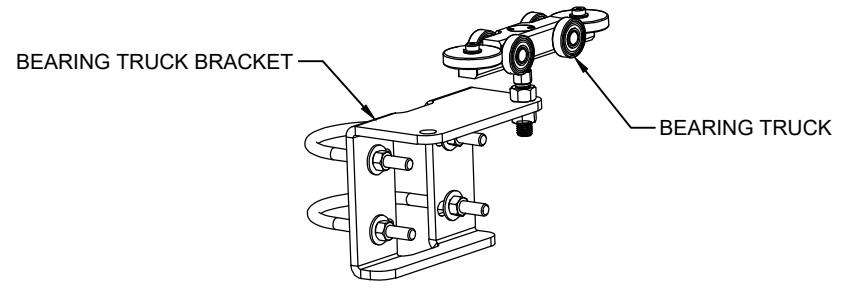
927 Alloy Drive, Thunder bay Ontario P7B 5Z8
Ph. 807-623-3352 WWW.CMSSI.COM

TITLE:
**GATE INDUSTRIAL
CANTILEVER ALUMINUM**

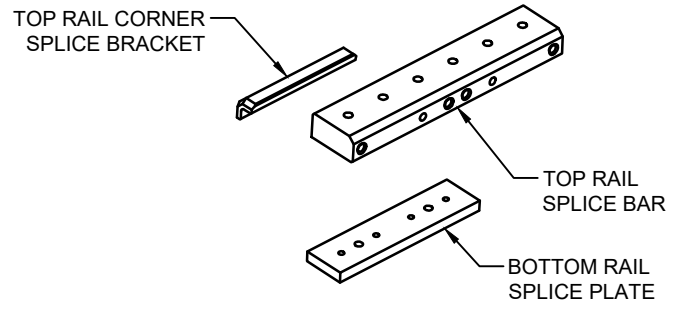
APPROVED BY: B. SYLVESTER	DRAWN BY: P. SCARFO	DATE: 08/FEB/18	SCALE: AS NOTED
DRAWING No: GICA-SEGMENTED-0002			SHT No.: 1 OF 2



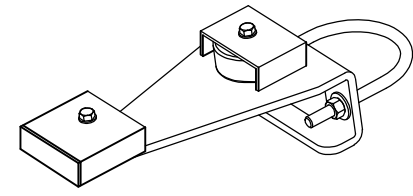
SECTION: A-A
SCALE: 1"=16"



BEARING TRUCK ASSEMBLY
SCALE: NTS



SPLICE KIT COMPONENTS
SCALE: NTS



ROLLER GUIDE ASSEMBLY
SCALE: NTS



927 Alloy Drive, Thunder bay Ontario P7B 5Z8
Ph. 807-623-3352 WWW.CMSSI.COM

TITLE:
**GATE INDUSTRIAL
CANTILEVER ALUMINUM**

APPROVED BY: B. SYLVESTER	DRAWN BY: P. SCARFO	DATE: 08/FEB/18	SCALE: AS NOTED
-------------------------------------	-------------------------------	---------------------------	---------------------------

DRAWING No: GICA-SEGMENTED-0002	SHT No.: 2 OF 2
---	---------------------------